

# TP2T Illuminated SMT Tact Switch

## Features

- High bright LED's
- Gold plated dome contact offering superior contact reliability in time
- Excellent ergonomics: sharp tactile feel and audible click
- Reduced space usage on board "2 in 1"
- 40 N overload
- Tape and reel
- RoHS compliant and compatible

## Typical Applications

- Application requiring illumination
- Server, storage
- Network infrastructure
- Telecom
- Medical



B

Tactile Switches

## Specification

FUNCTION: momentary action  
 CONTACT ARRANGEMENT: Normally Open  
 TERMINALS: SMT with positioning pegs;  
 SMT without positioning pegs is available,  
 contact Customer Service

## Electrical

POWER MIN/MAX: 0.02VA / 1.0VA  
 VOLTAGE MIN/MAX: 20mVdc – 32 Vdc  
 CURRENT MIN/MAX: 0.1mA – 100mA  
 CONTACT RESISTANCE: <100m Ω  
 INSULATION RESISTANCE: >1G Ω initial, >10M Ω after damp heat  
 BOUNCE TIME: <10ms

## Mechanical

Type	Operating force FA <sup>1</sup> Newtons (grams)	Operating life (operations)	Travel (total travel) mm(mm)
TP2T WH 43GP	4.0 (400)	100,000	0,5 (0.8)

<sup>1</sup> Tolerances of operating force FA is ± 25%.

## Environmental

OPERATING TEMPERATURE: -40°C to 125°C  
 STORAGE TEMPERATURE: -55°C to 125°C  
 RELATIVE HUMIDITY: 90 to 96% according to NF EN 60068-2-30  
 PROTECTION: dust protection and flux tight (IP 40)  
 OVERLOAD: 40N min

## Packaging

Standard: 900 pcs per reel; Reel diameter 380 mm  
 Reduced: 180 pcs per reel; Reel diameter 180 mm

## Process

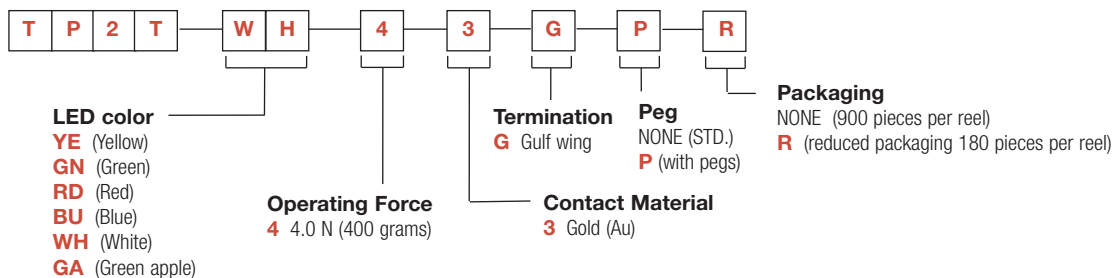
SOLDERING: Compatible with the lead free soldering profile.  
 No washing

## Materials

CONTACTS: Au over Ni  
 SOLDERING: Au over Ni  
 HOUSING: Thermoplastic UL94 V0

## How To Order

Our easy build-a-switch concept allows you to mix and match options to create the switch you need. To order, select desired option from each category and place it in the appropriate box.



Dimensions are shown: mm  
 Specifications and dimensions subject to change

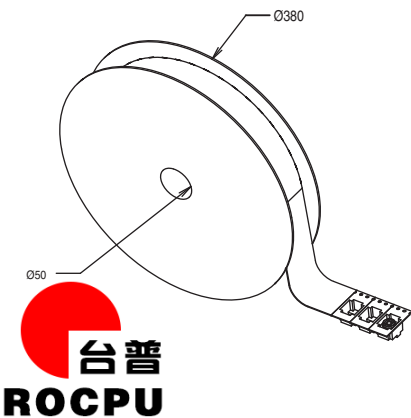
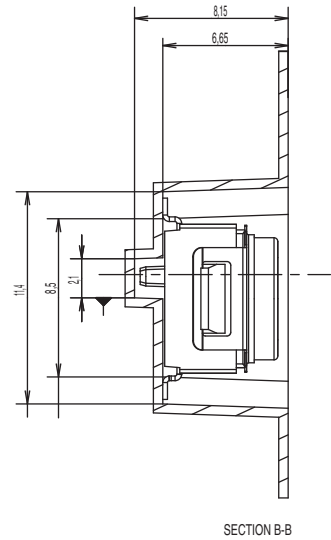
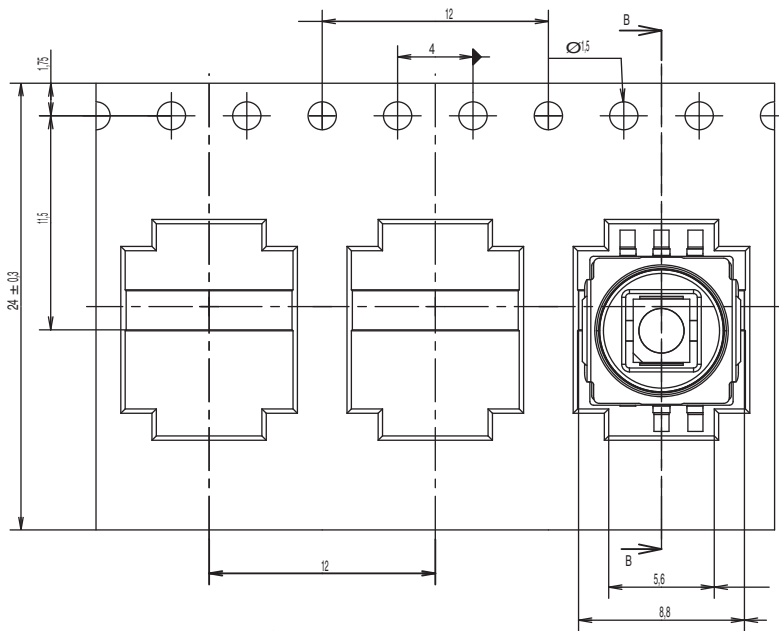
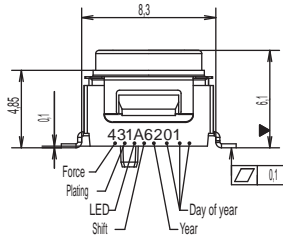
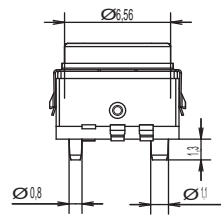
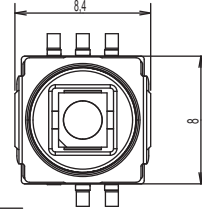
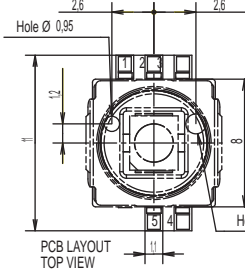
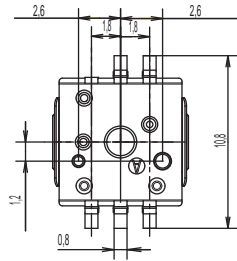
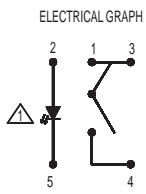
WWW.ROCPU.COM

# TP2T Illuminated SMT Tact Switch

TP2T



Tactile Switches



Dimensions are shown: mm  
Specifications and dimensions subject to change

WWW.ROCPU.COM